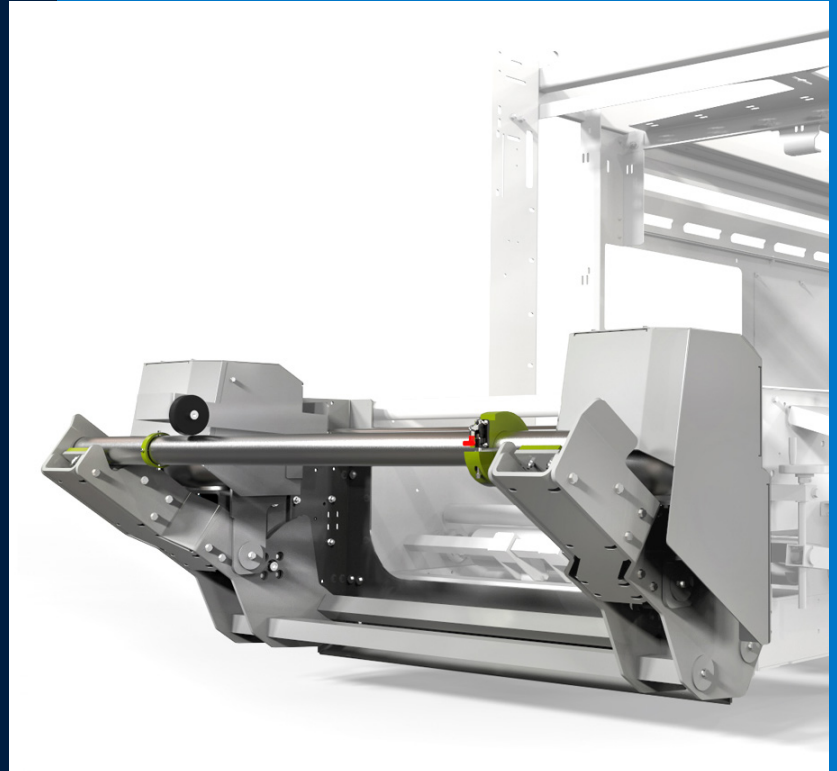


RETROFIT • FFS Series

Pneumatic Film Roll Support

Achieve quick and safe film roll changeovers

Instead of a fixed roll support, the new pneumatic film roll moves to allow for quicker and easier roll handling, easing the film roll replacement procedure. As an option, a second unwinding shaft can be added to make film roll changeover even faster.



New Pneumatic Film Roll Support Retrofit

Increased Safety

Through a complete pneumatic system activated by a simple manual valve, this retrofit raises the heavy film roll from the floor, eliminating the need for human manipulation.

Reduced Changeover Time

The new changeover process is 50% faster, and a second unwinding shaft can be added to make the changeover even faster.

Greater Self-Sufficiency

This system can also support larger film rolls, which increases the bagger's self-sufficiency by more than 45%.