

RETROFIT • FFS Series

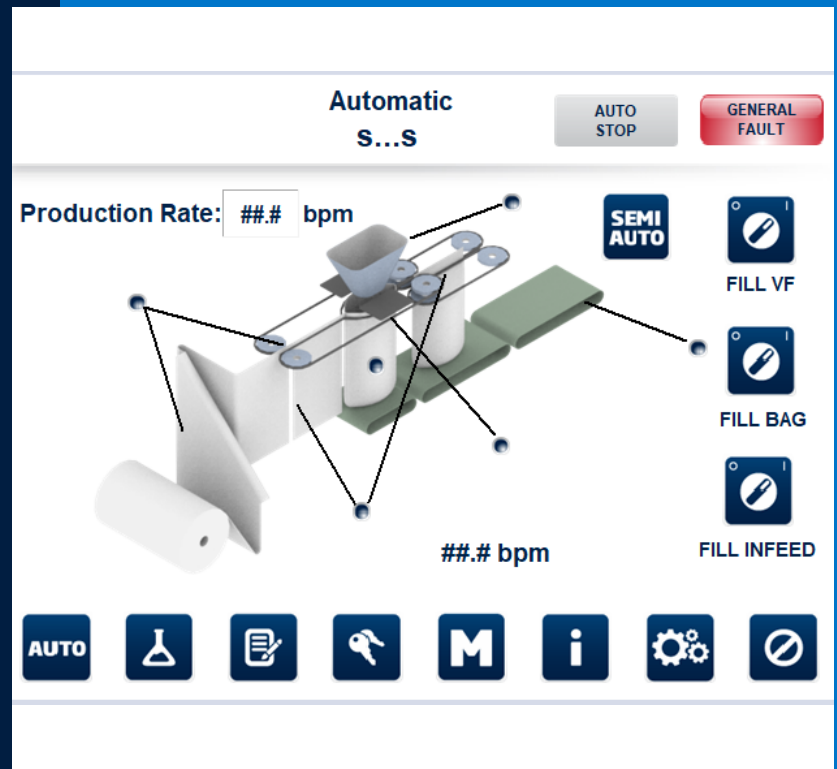
HMI Upgrade

Enhance your packaging equipment

Migrate your standard panel view to the new PV-700 and boost your production line. Please note that the PV-550 and PV-600 have been phased out by Allen Bradley and Premier Tech can no longer supply these interfaces. If your equipment is using the PV-550 or PV-600, please consider upgrading it, as we are concerned about the downtime and inconvenience that may result if either of them fails.

Replacement main benefits

- ✓ Expanded memory
- ✓ Faster processor
- ✓ Language compatibility
- ✓ User-friendly experience
- ✓ Fully touchscreen with no physical keys



Human-Machine Interface Upgrade

Powerful Features

The HMI upgrade is more powerful than its predecessor and features expanded memory, a faster processor, and the Microsoft Windows CE 6 operating system.

User-Friendly Experience

The HMI menus are visually enhanced, showing the full layout of the machine. Each section in the manual menu has pictures of the actual module you want to activate manually. The alarms description was improved and a safety overview of the machine can now easily identify which estop is pressed or which fence is open.

Supports Multiple Languages

The PV-700 supports 3 different languages (English, French and Spanish) that can be swapped at any time from the operator interface.